

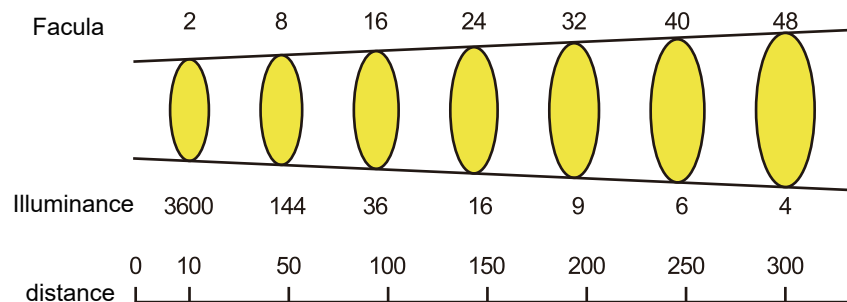
IP65 Marine LED Searchlight H2

maxi led
L'éclairage LED des professionnels

135 Chemin Volte
26250 Livron
Tél: 04 75 601 113
www.maxi-led.fr

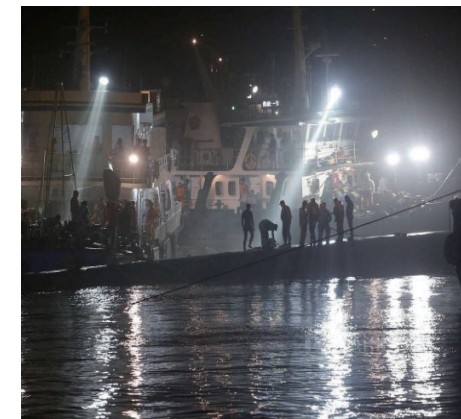
Features

- Protection class: IP65
- Irradiation distance: $\geq 500M$ (1LUX) $\geq 1000m$ (0.25LUX)
- Beam angle: 6°
- Slip-rings provide continuous 360° horizontal rotation with no stop points
- Auto-return to home position
- Auto-scan with user programmability
- Advanced proportional-speed control
- Approved for temperatures down to -35°C and up to +55°C
- Materials: marine grade aluminum and stainless steel with salt-resistant powder coat finish
- Lower power consumption: LED's consume 75% or more less power than Halogen lamps
- Longer life: LED's last tens-of-thousands of hours compared to approximately 250 to 750 hours depending upon the Halogen lamp. This reduces lamp replacement costs, increases reliability

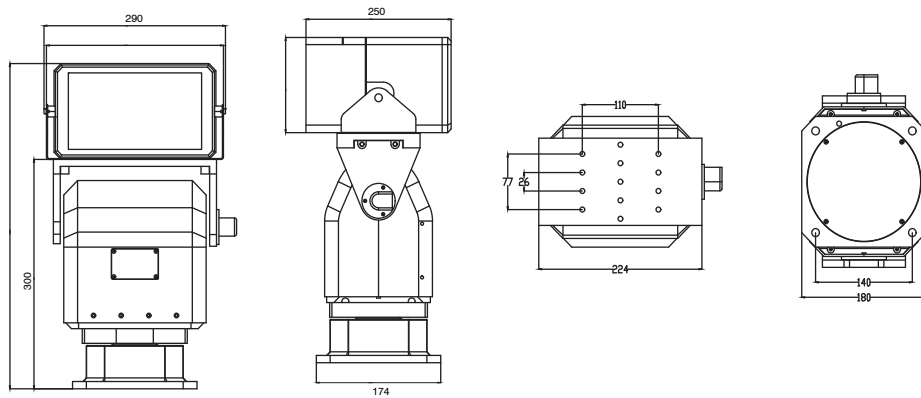


Applications

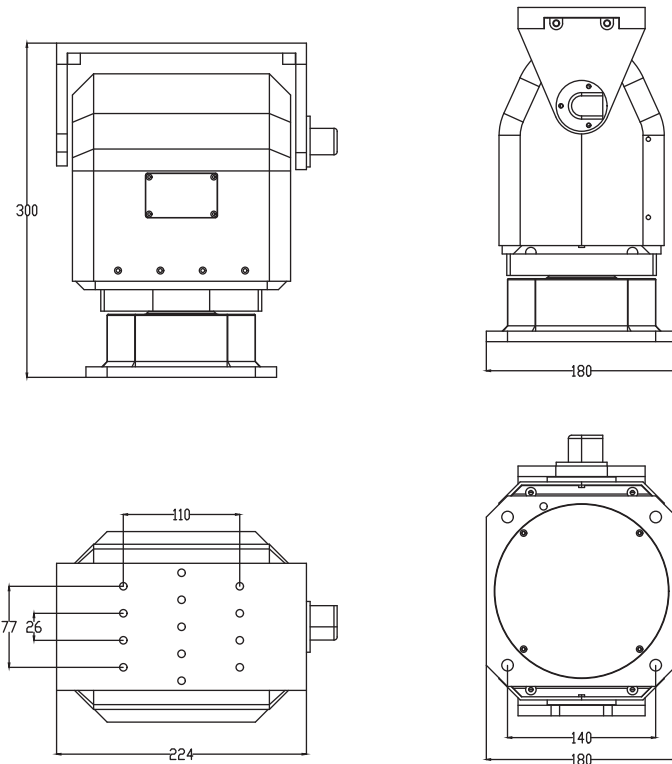
- National defense
- Marine
- Military
- Water conservation
- Expedition and oil field
- Wharf
- Large surface warship
- Maritime search and rescue



160W



Cloud Platform



Specifications

Light Information	Light Source	LED
	Power Consumption	160W
	Color Temperature	6500K
	Input Voltage	AC 220V 50/60HZ/DC12V
	Working Temperature	-35°C ~ +55°C
	IP Rating	IP65
	Lifespan	>30,000 hours
	Beam Angle	6°
Cloud Platform (Optional)	Beam Distance	≥500m(1LUX) ≥1000m(0.25LUX)
	Weight	20Kg
	Adjustable Speed	Horizontal: 1°~9°/S, vertical: 1°~6°/S
	Adjustable Angle	Horizontal: 0~350°, vertical: +15°~30°
	Preset Position	80pcs
	Repeated Positioning Accuracy	±1°
	Communication Protocol	Pelco-D, Pelcl-P for option
	Communication Baud Bate	2400 / 4800 / 9600 / 19200 bps for option
Communication Interface	RS 485	
Power	40W	

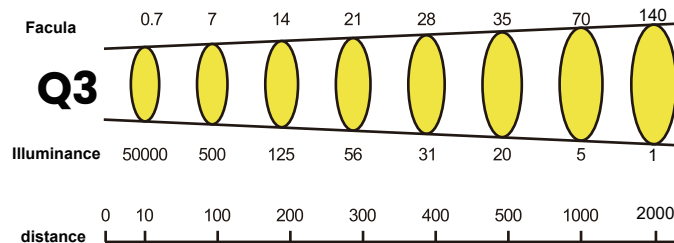
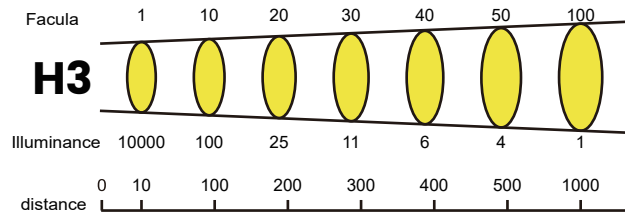
High-Intensity LED Marine Searchlight

maxi led
L'éclairage LED des professionnels

135 Chemin Volte
26250 Livron
Tél: 04 75 601 113
www.maxi-led.fr

Features

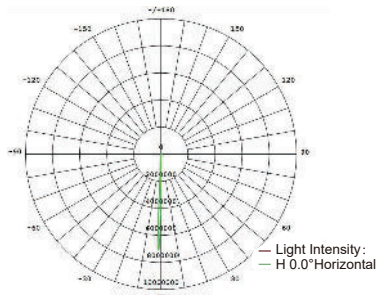
- Protection class: IP66
- Power: 240W / 300W available
- Luminous flux: $\geq 10000\text{Lm}$
- Irradiation distance: $\geq 2000\text{M}$ (1LUX)
- Beam angle: $3.5^\circ / 2.5^\circ$
- Slip-rings provide continuous 360° horizontal rotation with no stop points
- Auto-return to home position
- Auto-scan with user programmability
- Advanced proportional-speed control
- Approved for temperatures down to -35°C and up to $+55^\circ\text{C}$
- Materials: marine grade aluminum and stainless steel with salt-resistant powder coat finish
- Lower power consumption: LED's consume 75% or more less power than Halogen lamps
- Longer life: LED's last tens-of-thousands of hours compared to approximately 250 to 750 hours depending upon the Halogen lamp. This reduces lamp replacement costs, increases reliability



Applications

- National defense
- Marine
- Military
- Water conservation
- Expedition and oil field
- Wharf
- Large surface warship
- Maritime search and rescue





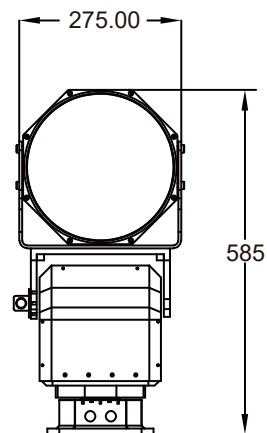
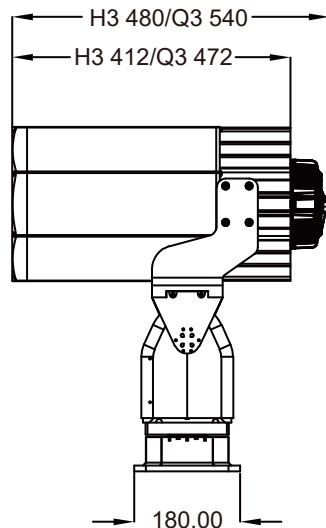
Average beam angle (50%): 2.1°

Distance (m)	High (lx)	Max (lx)	Beam Angle (°)	Diameter (mm)
200	11077lx	87.28mm		
500	2784lx	174.56mm		
1000	696.0lx	349.12mm		
2000	174.0lx	698.24mm		
5000	69.6lx	1745.60mm		
10000	34.8lx	3491.20mm		
20000	17.4lx	6982.40mm		
50000	6.9lx	17456.00mm		
100000	3.4lx	34912.00mm		

Note: The curve is the illumination area and the average illuminance in the area of the lamp under different projection distances



Specifications



Model					
Light Information	Light Source	LED	LED	LED	LED
	Power Consumption	240W	300W	240W	300W
	Color Temperature	6500K			
	Input Voltage	AC100 ~ 277V (50/60Hz)			
	Working Temperature	-35°C ~ +55°C			
	IP Rating	IP66			
	Lifespan	>30,000 hours			
	Beam Angle	3.5°	3.5°	2.5°	2.5°
	Beam Distance	≥1000m (1LUX)	≥1000m (1LUX)	≥2000m (1LUX)	≥2000m (1LUX)
	Housing Material	1070 Pure aluminum cold forging, with salt-resistant, scratch-resistant white powder coat finish			
Weight	25Kg	40Kg	25Kg	40Kg	
Cloud Platform (Optional)	Adjustable Speed	Horizontal: 0.1° ~ 25°/S, vertical 0.1° ~ 15°/S			
	Adjustable Angle	Horizontal: 0~180° or 0~360°, vertical +30° ~ -30°, or customizable			
	Preset Position	200pcs			
	Repeated Positioning Accuracy	±0.2°			
	Communication Protocol	Pelco-D, Pelco-P for option			
	Communication Baud Rate	2400 / 4800 / 9600 / 9200 bps for option			
	Communication Interface	RS485 / RS422			
Power	/	60W	/	60W	